

Read these instructions before installation and retain for future reference

This equipment should be installed by a competent electrician



Important Information

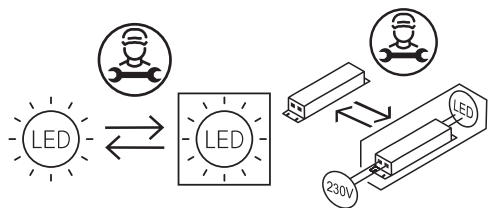
We recommend that luminaires are installed by a qualified electrician ensuring the installation complies with current IEE wiring regulations BS7671:2018 & local building control.

- All tests should be carried out in accordance to EN 50172:2004.
- BELL will not accept responsibility for any claims arising from poor installation.

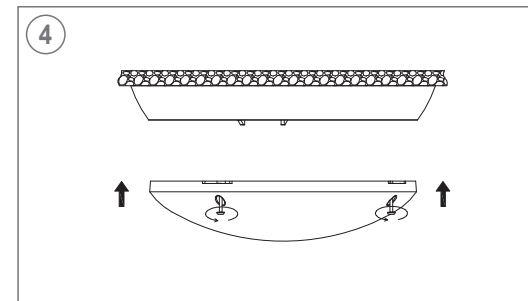
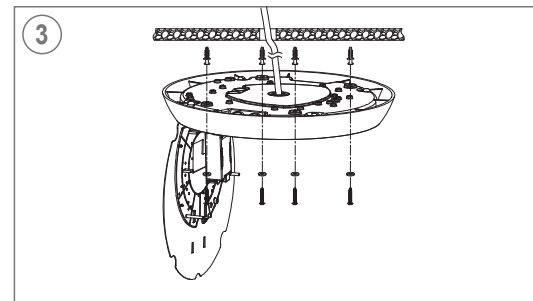
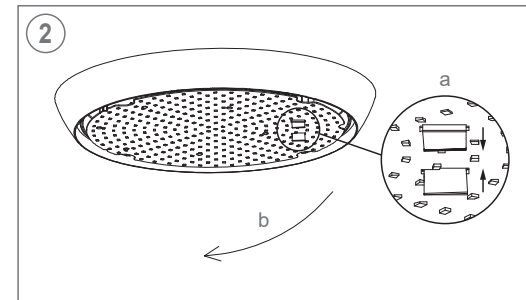
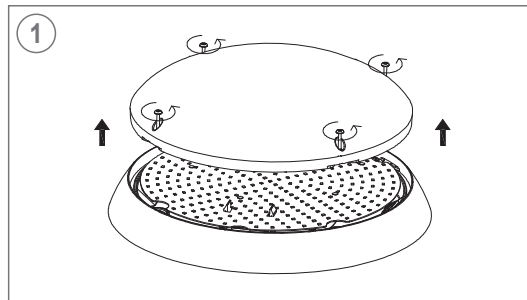
Important User Advice

- The ambient room temperature should not exceed 35°C.
- Ensure that there is adequate free air ventilation around the fitting.
- Always switch off mains supply before installing.

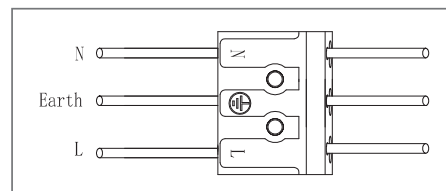
This product may contain substances that can be hazardous to the environment if not disposed of properly. Electrical and electronic equipment should never be disposed of with general household waste but must be separated for its correct treatment and recovery. Where possible recycle your packaging.



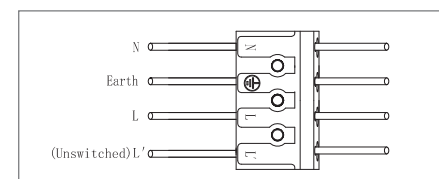
Installation



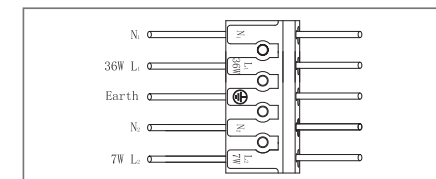
Wiring 70035/7



Wiring 70036/8



Wiring 70039



Read these instructions before installation and retain for future reference

This equipment should be installed by a competent electrician



Important Information

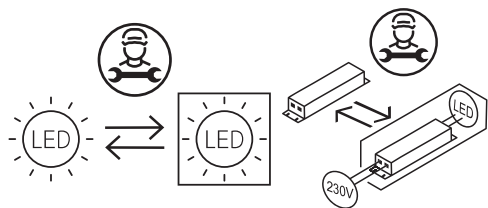
We recommend that luminaires are installed by a qualified electrician ensuring the installation complies with current IEE wiring regulations BS7671:2018 & local building control.

- All tests should be carried out in accordance to EN 50172:2004.
- BELL will not accept responsibility for any claims arising from poor installation.

Important User Advice

- The ambient room temperature should not exceed 35°C.
- Ensure that there is adequate free air ventilation around the fitting.
- Always switch off mains supply before installing.

This product may contain substances that can be hazardous to the environment if not disposed of properly. Electrical and electronic equipment should never be disposed of with general household waste but must be separated for its correct treatment and recovery. Where possible recycle your packaging.



Instruction for emergency 70036/38

Battery: LiFePO₄, 3.2V, 3.2AH
 Emergency light: 200lm-400lm.
 Batteries duration: 3 hours.
 Battery charging period: 24 hours.

Battery design life: 5 years.
 Max. battery operating temperature: 50 C
 Min. battery operating temperature: 0 C
 Discharge frequency: Once a year.

The replacement of the battery is needed when they no longer meet their rated duration of operation after the corresponding recharge period.

Explanation of LED indicator

	Color	LED indicator	Status	Comment
	Green	Slow flashing green (3 sec on, 1 sec off)	Charging mode	AC mode
	Green	Permanent green	Fully charged	AC mode
	Green	Fast flashing green (0.1 sec on, 0.1 sec off)	Function test underway	
	Green	Slow flashing green (1 sec on, 1 sec off)	Duration test underway	
	Red	Permanent red	Load failure	Open circuit / Short circuit / LED failure
	Red	Slow flashing red (1 sec on, 1 sec off)	Battery failure	Battery failed the duration test or function test / No battery
		Green and red off	DC mode	Battery operation (emergency mode)

Test switch

The test button is an open switch, if you press it, it connects, and then you release it, it cuts off automatically. When you are doing the daily maintenance, if you press the test button, the emergency driver goes into emergency mode, if you release the button, the emergency driver will go back to normal mode.

LED indicator

It can reflect charging or not. LED charging monitor will be light if battery is connected when it will be off without battery connecting.

Self-test function

Initial Test

Connect LED load, emergency module, battery and LED driver, then connect mains supply, this emergency conversion module will automatically start to do an initial test, to check LED load, battery, LED driver and emergency module itself working well or not. If not, LED indicator would be red flash. If everything goes well, it then goes into charge mode.

Functional Test

Functional tests are carried out for 10 seconds automatically every 30 calendar days.

Duration Test

Emergency conversion module will automatically make a full duration test every 180 calendar days to check capacity of battery.

Note

If mains supply is off during self-test period, emergency conversion module would terminate self-test immediately and go into emergency mode.

Timer Reset Functionality

The timer for function and duration test can be set to a particular time of the day by cycling the un-switched line supply 3 times within 1 minute.

Reset Mode

Rest mode can be initiated during emergency mode by pressing test switch longer than 3 seconds.

Sensor setting options 70037/8

1. Sensitivity
 Sensitivity can be adjusted by selecting the combination on the DIP switches for different applications.

I	100%	I - 100%
II	50%	II - 50%

2. Hold-time
 Hold-time refers to the time period that the light remains 100% on if no more movement is detected.

I	5s	I - 5s
II	30s	II - 90s
III	5min	III - 3min
IV	10min	IV - 10min

3. Daylight threshold
 Different daylight threshold can be preset on DIP switches. Light will always turn on upon movement if daylight sensor is disabled.

I	Disable	I - Disable
II	10Lux	II - 10Lux

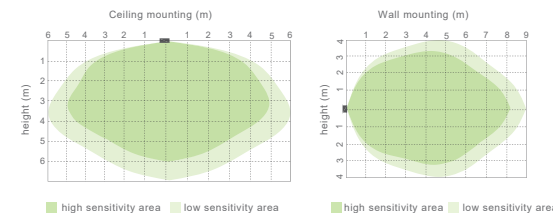
4. Stand-by time
 This is the time period that the light remains at a low level before it is completely turned off.

I	0s	I - 0s
II	10s	II - 10s
III	10min	III - 10min
IV	∞	IV - ∞

5. Stand-by dimming level
 Light can be dimmed to different levels after hold-time.

I	10%	I - 10%
II	30%	II - 30%

Detection pattern



Date	Revision
2.8.2024	2

Read these instructions before installation and retain for future reference
This equipment should be installed by a competent electrician



Important Information

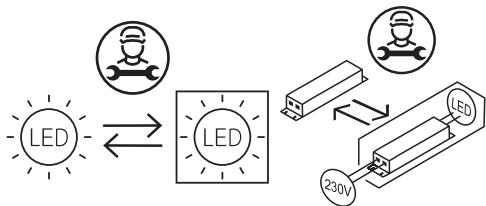
We recommend that luminaires are installed by a qualified electrician ensuring the installation complies with current IEE wiring regulations BS7671:2018 & local building control.

- All tests should be carried out in accordance to EN 50172:2004.
- BELL will not accept responsibility for any claims arising from poor installation.

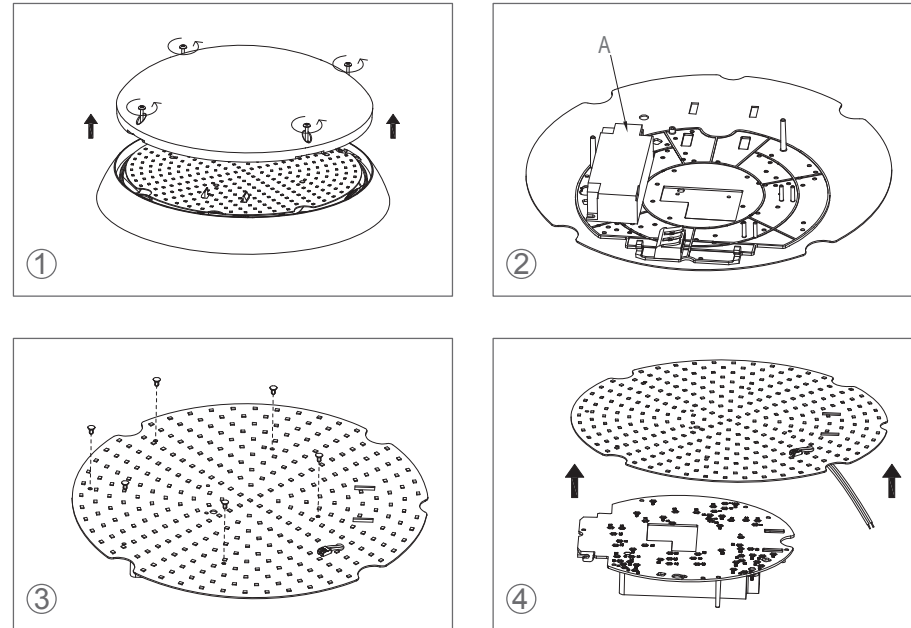
Important User Advice

- The ambient room temperature should not exceed 35°C.
- Ensure that there is adequate free air ventilation around the fitting.
- Always switch off mains supply before installing.

This product may contain substances that can be hazardous to the environment if not disposed of properly. Electrical and electronic equipment should never be disposed of with general household waste but must be separated for its correct treatment and recovery. Where possible recycle your packaging.



Instruction for Light Source Disassembly



Read these instructions before installation and retain for future reference
This equipment should be installed by a competent electrician



To set the current, only use the DIP switch when the Mains supply is OFF

Important Information

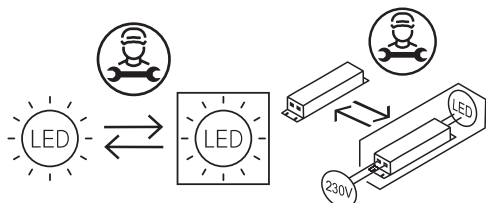
We recommend that luminaires are installed by a qualified electrician ensuring the installation complies with current IEE wiring regulations BS7671:2018 & local building control.

- All tests should be carried out in accordance to EN 50172:2004.
- BELL will not accept responsibility for any claims arising from poor installation.

Important User Advice

- The ambient room temperature should not exceed 35°C.
- Ensure that there is adequate free air ventilation around the fitting.
- Always switch off mains supply before installing.

This product may contain substances that can be hazardous to the environment if not disposed of properly. Electrical and electronic equipment should never be disposed of with general household waste but must be separated for its correct treatment and recovery. Where possible recycle your packaging.



70035

Power Adjustable Options

Power	Irated	1	2	3	4
18W	500mA	<input type="radio"/>	<input type="radio"/>	<input type="radio"/>	<input type="radio"/>
19W	550mA	<input checked="" type="radio"/>	<input type="radio"/>	<input type="radio"/>	<input type="radio"/>
21W	600mA	<input type="radio"/>	<input checked="" type="radio"/>	<input type="radio"/>	<input type="radio"/>
23W	650mA	<input checked="" type="radio"/>	<input checked="" type="radio"/>	<input type="radio"/>	<input type="radio"/>
24W	700mA	<input type="radio"/>	<input type="radio"/>	<input checked="" type="radio"/>	<input type="radio"/>
26W	750mA	<input checked="" type="radio"/>	<input type="radio"/>	<input checked="" type="radio"/>	<input type="radio"/>
28W	800mA	<input type="radio"/>	<input checked="" type="radio"/>	<input checked="" type="radio"/>	<input type="radio"/>
30W	850mA	<input checked="" type="radio"/>	<input checked="" type="radio"/>	<input checked="" type="radio"/>	<input type="radio"/>
32W	900mA	<input checked="" type="radio"/>	<input checked="" type="radio"/>	<input type="radio"/>	<input checked="" type="radio"/>
33W	950mA	<input type="radio"/>	<input type="radio"/>	<input checked="" type="radio"/>	<input checked="" type="radio"/>
36W	1000mA	<input checked="" type="radio"/>	<input type="radio"/>	<input checked="" type="radio"/>	<input checked="" type="radio"/>

Note:
 1. means current adjustment cut off.
 2. 1050mA, 1100mA can not be selected.

70036

Power Adjustable Options

Power	Irated	1	2	3	4
18W	500mA	<input type="radio"/>	<input type="radio"/>	<input type="radio"/>	<input type="radio"/>
20W	550mA	<input checked="" type="radio"/>	<input type="radio"/>	<input type="radio"/>	<input type="radio"/>
22W	600mA	<input type="radio"/>	<input checked="" type="radio"/>	<input type="radio"/>	<input type="radio"/>
24W	650mA	<input checked="" type="radio"/>	<input checked="" type="radio"/>	<input type="radio"/>	<input type="radio"/>
25W	700mA	<input type="radio"/>	<input type="radio"/>	<input checked="" type="radio"/>	<input type="radio"/>
27W	750mA	<input checked="" type="radio"/>	<input type="radio"/>	<input checked="" type="radio"/>	<input type="radio"/>
29W	800mA	<input type="radio"/>	<input checked="" type="radio"/>	<input checked="" type="radio"/>	<input type="radio"/>
30W	850mA	<input checked="" type="radio"/>	<input checked="" type="radio"/>	<input checked="" type="radio"/>	<input type="radio"/>
33W	900mA	<input checked="" type="radio"/>	<input checked="" type="radio"/>	<input type="radio"/>	<input checked="" type="radio"/>
35W	950mA	<input type="radio"/>	<input type="radio"/>	<input checked="" type="radio"/>	<input checked="" type="radio"/>
36W	1000mA	<input checked="" type="radio"/>	<input type="radio"/>	<input checked="" type="radio"/>	<input checked="" type="radio"/>

Note:
 1. means current adjustment cut off.
 2. 1050mA, 1100mA can not be selected.

70037

Power Adjustable Options

Power	Irated	1	2	3
27W	800mA	<input type="radio"/>	<input type="radio"/>	<input type="radio"/>
29W	850mA	<input checked="" type="radio"/>	<input type="radio"/>	<input type="radio"/>
30W	900mA	<input type="radio"/>	<input checked="" type="radio"/>	<input type="radio"/>
32W	950mA	<input type="radio"/>	<input type="radio"/>	<input checked="" type="radio"/>
34W	1000mA	<input checked="" type="radio"/>	<input type="radio"/>	<input checked="" type="radio"/>
36W	1050mA	<input type="radio"/>	<input checked="" type="radio"/>	<input checked="" type="radio"/>

Note: means current adjustment cut off.

70039

Power Adjustable Options for 36W

Power	Irated	1	2	3	4
18W	500mA	<input type="radio"/>	<input type="radio"/>	<input type="radio"/>	<input type="radio"/>
19W	550mA	<input checked="" type="radio"/>	<input type="radio"/>	<input type="radio"/>	<input type="radio"/>
21W	600mA	<input type="radio"/>	<input checked="" type="radio"/>	<input type="radio"/>	<input type="radio"/>
23W	650mA	<input checked="" type="radio"/>	<input checked="" type="radio"/>	<input type="radio"/>	<input type="radio"/>
24W	700mA	<input type="radio"/>	<input type="radio"/>	<input checked="" type="radio"/>	<input type="radio"/>
26W	750mA	<input checked="" type="radio"/>	<input type="radio"/>	<input checked="" type="radio"/>	<input type="radio"/>
28W	800mA	<input type="radio"/>	<input checked="" type="radio"/>	<input checked="" type="radio"/>	<input type="radio"/>
30W	850mA	<input checked="" type="radio"/>	<input checked="" type="radio"/>	<input checked="" type="radio"/>	<input type="radio"/>
32W	900mA	<input checked="" type="radio"/>	<input checked="" type="radio"/>	<input type="radio"/>	<input checked="" type="radio"/>
33W	950mA	<input type="radio"/>	<input type="radio"/>	<input checked="" type="radio"/>	<input checked="" type="radio"/>
36W	1000mA	<input checked="" type="radio"/>	<input type="radio"/>	<input checked="" type="radio"/>	<input checked="" type="radio"/>

Note:
 1. means current adjustment cut off.
 2. 1050mA, 1100mA can not be selected.

Power Adjustable Options for 7W

Power	Irated	1	2
6W	150mA	<input type="radio"/>	<input type="radio"/>
7W	180mA	<input checked="" type="radio"/>	<input type="radio"/>
8W	200mA	<input type="radio"/>	<input checked="" type="radio"/>
9W	250mA	<input checked="" type="radio"/>	<input checked="" type="radio"/>

Note:
 1. means current adjustment cut off.

70038

Power Adjustable Options

Power	Irated	1	2	3
28W	800mA	<input type="radio"/>	<input type="radio"/>	<input type="radio"/>
29W	850mA	<input checked="" type="radio"/>	<input type="radio"/>	<input type="radio"/>
31W	900mA	<input type="radio"/>	<input checked="" type="radio"/>	<input type="radio"/>
33W	950mA	<input type="radio"/>	<input type="radio"/>	<input checked="" type="radio"/>
35W	1000mA	<input checked="" type="radio"/>	<input type="radio"/>	<input checked="" type="radio"/>
36W	1050mA	<input type="radio"/>	<input checked="" type="radio"/>	<input checked="" type="radio"/>

Note: means current adjustment cut off.